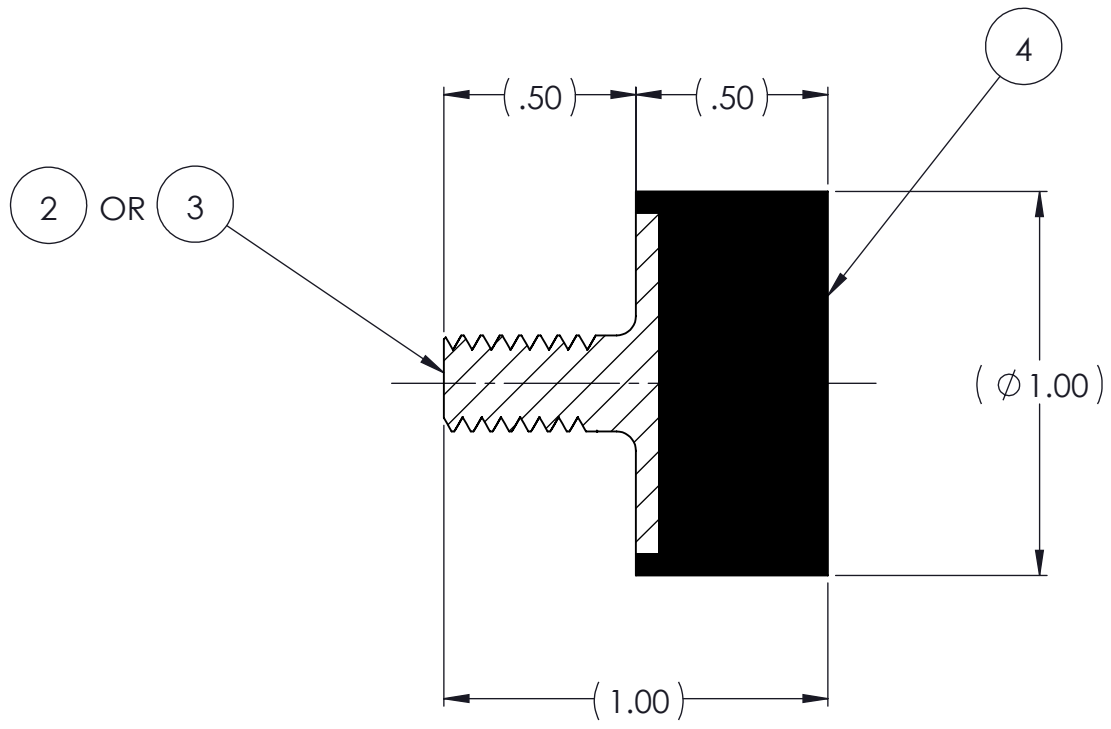
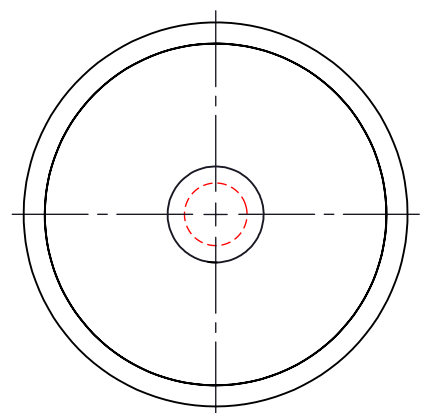
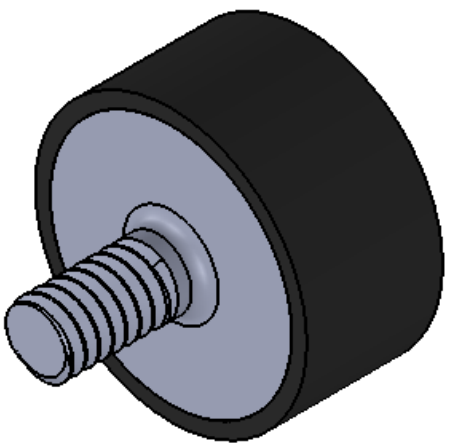


REVISIONS			
REV.	DESCRIPTION	DATE	APPROVED
1	INITIAL RELEASE OF DRAWING	6/5/2014	BS



AR	DESCRIPTION	PART NUMBER	MATERIAL OR NOTES	ITEM
	ELASTOMER	K184-4		4
1	MK470-AA	MK470-AA		3
1	MK470-M6	MK470-M6		2
	K184	K184		1

NOTES:

- 1 MATERIAL: ELASTOMER AND DUROMETER OF 40, 50, 60 OR 70 TO BE SPECIFIED.
- 2 ALL DIMENSIONS ARE REFERENCE.
- 3 AVAILABLE WITH THREADS OF 1/4-20 UNC AND M6 X 1.0.

PROPRIETARY AND CONFIDENTIAL <small>THE INFORMATION CONTAINED IN THIS DRAWING IS THE SOLE PROPERTY OF KARMAN RUBBER. ANY REPRODUCTION IN PART OR AS A WHOLE WITHOUT THE WRITTEN PERMISSION OF KARMAN RUBBER IS PROHIBITED.</small>	SIGNATURE		DATE
	DRAWN	B. SENECAI	06/05/2014
	CHECK	S. BROWN	06/05/2014
	ENGR	B. SENECAI	06/05/2014
	QA		
	STRESS		
APPR			

UNLESS OTHERWISE SPECIFIED:
 DIMENSIONS ARE IN INCHES
 TOLERANCES:
 .X = ± 0.031
 .XXX = ± 0.005
 ANGLES = ± 1°
 INTERPRET GEOMETRIC TOLERANCING PER: ASME Y14.5M-1994



TITLE: K184 SERIES VIBRO-INSULATOR WWW.KARMAN.COM			
SIZE B	CAGE CODE K184	DWG. NO. K184	REV 1
DO NOT SCALE DRAWING		SCALE: 2:1	WEIGHT: .85 OZ.
		SHEET 1 OF 1	